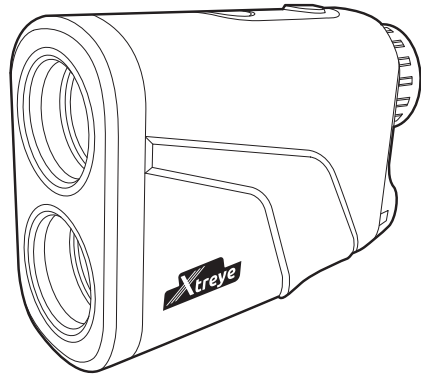
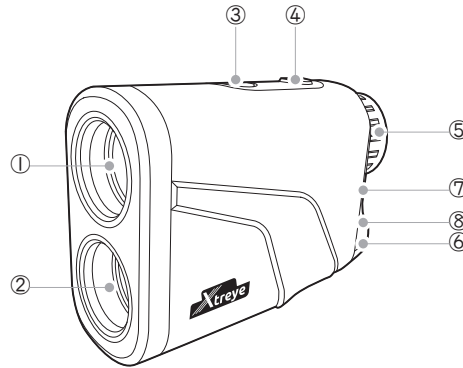


# Xtreye Laser Rangefinder



## Product Overview

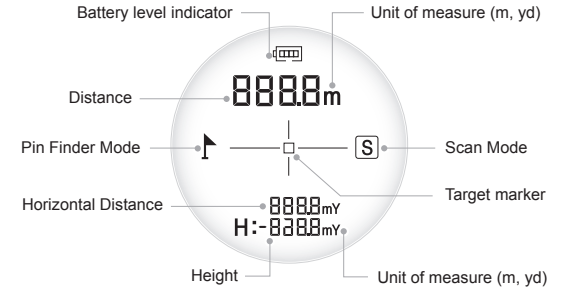


- ① Objective Lens
- ② Laser Detector Aperture
- ③ Mode Button
- ④ Power (Measurement) Button
- ⑤ Focus Adjustable Eyepiece
- ⑥ Charging Indicator LED
- ⑦ Strap Eyelet
- ⑧ USB Charging Port

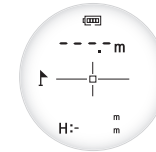
## Package Contents

Rangefinder Main Unit, Carrying Case, User Manual  
Microfiber Cleaning Cloth, Charging Cable (USB Type-C)

## LCD Internal Display



### 1. Rangefinder Power On/Off



- Press power button (short press) to turn on the device and activate LCD internal display
- Device will automatically enter power saving mode if the device is not used for more than 30 seconds.- 1 minute)
- Press power button and mode button simultaneously (long press) to power off

### 2. Changing Display Unit

- Press mode button for more than 3 seconds to switch distance unit between meter (m) and yard (yd)

### 3. Adjusting Focus

- Rotate the focus adjustment ring to obtain sharper display

## 4. Measurement Operation and Modes

Mode button is used to switch between different modes to measure horizontal distance or slope compensated distance.



### • Pin Finder Mode

With the rangefinder powered on and focus adjusted, align the target marker to the intended target and short press the power button to initiate measurement. The result distance is displayed within 2 seconds with a vibration alert.



### • Scan Mode (Continuous)

With the rangefinder powered on, change the mode to scan mode using mode button. Press and hold power button to acquire consecutive measured distance while moving the target marker through various objects (bunker, tree, boulder, other hazards, etc). Releasing the button will stop the continuous measurement and display result of the last target.

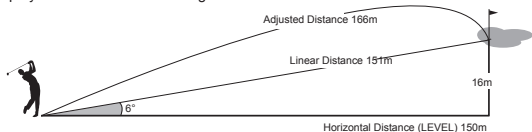
### • Common Feature

#### || Slope Compensation ON

When turned on, adjusted distance will be displayed for both Pin Finder and Scan mode. This feature allows the rangefinder to consider height to provide slope adjusted distance.

#### || Slope Compensation OFF

Slope compensation feature can be turned off by simultaneously pressing power and mode button while in Pin Finder mode. With the feature turned off, the rangefinder will display linear distance to the target.



※ Slope Compensated Technology Distance to the pin is calculated using measured distance and slope angle to provide accurate play distance

#### || Slope Compensation ON/OFF

Slope compensation feature is on by default at both Pin Finder and Scan mode. The feature can only be turned ON/OFF in Pin Finder mode by simultaneously pressing power and mode button.

### • LCD Charging Indicator and USB Type-C Cable

USB Type-C cable enables rapid charging of the built-in battery with LED indicator to display charging status.

(RED – charging / GREEN – fully charged)

## 5. Specification

Dimensions (L×W×H)	36×70×104mm
Weight	175g
Range	7yd–656yd (600m)
Magnification	(6.0+ /±5%)×
Viewing angle	6.0°±10%
Ranging accuracy	+/- 0.54yd (+/-0.5m)
Laser level	Class 1
Laser range	905nm
Magnification	6×
Power source	730mAh Lithium (Recharging)
IP level	IP54
Basic function	JOLT / Pin Finder Mode / Scan Mode
Distance unit input	Y(yard) / m(meter)

### • Notice

- The rangefinder may display incorrect distance or fail to provide a reading due to various reasons including target properties such as size, surfaces, texture, reflective properties and weather conditions such as air humidity, temperature, the ambient light, fog, rain, smog or snow
- Take precautions when cleaning the lens as the lens is coated. Use a dry cloth or microfiber cloth and gently wipe the lens in a circular motion to remove dust or fingerprints on the lens surface.
- Avoid the eyepiece being exposed to direct sunlight. It may result in damaging internal parts.
- Do not attempt to disassemble, repair, open, or modify the device as there is a risk of injury or other hazards. Any evidence of such attempt will void the product limited warranty.
- Do not attempt to disassemble, repair, open, or modify the device, which may cause a risk of injury or other hazards.
- Never look directly at the sun or intense light using this device as it will result in permanent injury to the eye.
- Do not point the laser at the eyes of people or animals, as this could cause permanent damage.
- This product is designed to be used at the golf course. Do not use other than for intended purpose.
- This device is not designed to be used under water as it may cause permanent damage. Do not try to use the device or immerse the unit in water or other liquids.
- When not in use, store the unit in a cool dry area away from direct sunlight, heat or moisture.
- Do not dispose the device as general household waste.
- Dispose the battery in accordance with local environmental laws.
- Never modify, disassemble, or incinerate the battery as it may result in explosion or fire.

### • Limited Warranty

This product is warranted to be free from defects in materials or workmanship for the warranty period from the date of purchase. Within this period, we will, at its sole option, repair or replace any components that fail in normal use. This warranty does not apply to the following damages, and the charge for repairs or replacement will be made for parts or labor.

- Damage caused by irresistible or uncontrollable external shocks.
- Damage caused by improper operation or not following the safety information specified on the user guide.
- Damage caused by flood or material loss damage caused when shipping to the service center without proper package.

### • Warranty Period

Your new product comes with a 1 year parts and labour guarantee, protecting against electrical breakdown. Upgrade to 2 years (additional year) for free by registering your product within 30 days of purchase. To claim your 2 years warranty for free, register online at: <https://uk.humaxdigital.com/warranty-registration>

Please retain your receipt as proof of purchase, as this will be required to validate any warranty repair in the future.

Got a question or need support?  
Visit <https://uk.humaxdigital.com/support/>  
Or phone us: **0344 318 8800**